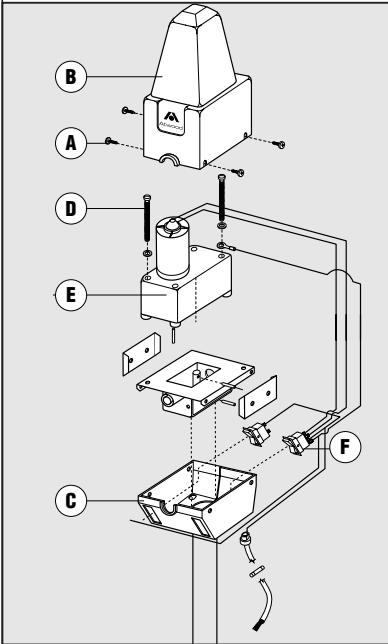


Effective 12/04/07

For Atwood® Electric Ball Screw Truck Camper Jacks and Power Tongue Jacks



Atwood Electric Ball Screw Truck Camper Jacks are designed to be used in sets of four with one at each corner of the truck camper. Power Tongue Jacks are designed to be used on the tongue of a RV travel trailer.

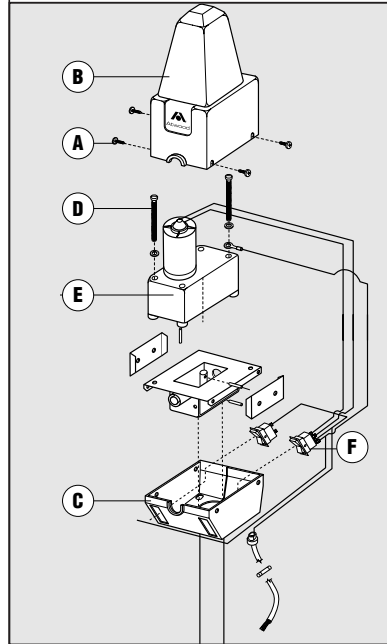
REMOVAL PROCEDURE

1. Disconnect electrical lead from jack to camper.
2. Remove four screws-(A) located on each side of cover-(B). Remove top cover. Slide bottom cover-(C) down jack leg.
3. Remove two screws-(D) attaching motor-(E) to jack. Disconnect two electrical wires on motor from switches-(F). Lift motor off of jack.
4. Align motor shaft with groove pin in top of screw shaft. Rotate motor so that slots align with two threaded holes in mounting surface. Attach screws.
5. Reattach wires to motor switch. Verify ground connection.
6. Attach top and lower motor cover with four screws.

For complete Electric Ball Screw Truck Camper Jack instructions consult MPD 87903.
 For complete Power Jack instructions consult MPD 87083.

Effective 12/04/07

For Atwood® Electric Ball Screw Truck Camper Jacks and Power Tongue Jacks



Atwood Electric Ball Screw Truck Camper Jacks are designed to be used in sets of four with one at each corner of the truck camper. Power Tongue Jacks are designed to be used on the tongue of a RV travel trailer.

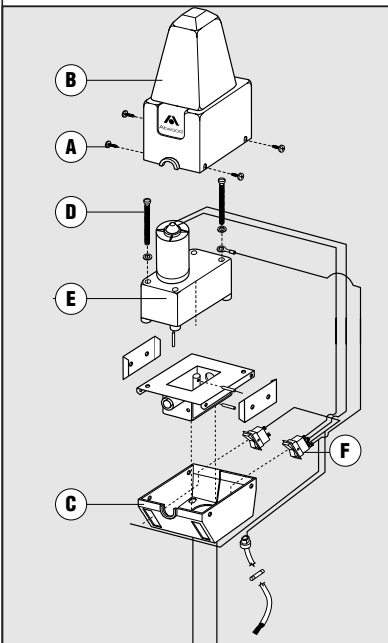
REMOVAL PROCEDURE

1. Disconnect electrical lead from jack to camper.
2. Remove four screws-(A) located on each side of cover-(B). Remove top cover. Slide bottom cover-(C) down jack leg.
3. Remove two screws-(D) attaching motor-(E) to jack. Disconnect two electrical wires on motor from switches-(F). Lift motor off of jack.
4. Align motor shaft with groove pin in top of screw shaft. Rotate motor so that slots align with two threaded holes in mounting surface. Attach screws.
5. Reattach wires to motor switch. Verify ground connection.
6. Attach top and lower motor cover with four screws.

For complete Electric Ball Screw Truck Camper Jack instructions consult MPD 87903.
 For complete Power Jack instructions consult MPD 87083.

Effective 12/04/07

For Atwood® Electric Ball Screw Truck Camper Jacks and Power Tongue Jacks



Atwood Electric Ball Screw Truck Camper Jacks are designed to be used in sets of four with one at each corner of the truck camper. Power Tongue Jacks are designed to be used on the tongue of a RV travel trailer.

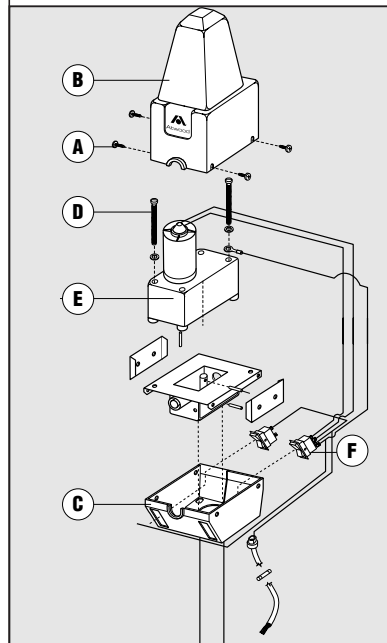
REMOVAL PROCEDURE

1. Disconnect electrical lead from jack to camper.
2. Remove four screws-(A) located on each side of cover-(B). Remove top cover. Slide bottom cover-(C) down jack leg.
3. Remove two screws-(D) attaching motor-(E) to jack. Disconnect two electrical wires on motor from switches-(F). Lift motor off of jack.
4. Align motor shaft with groove pin in top of screw shaft. Rotate motor so that slots align with two threaded holes in mounting surface. Attach screws.
5. Reattach wires to motor switch. Verify ground connection.
6. Attach top and lower motor cover with four screws.

For complete Electric Ball Screw Truck Camper Jack instructions consult MPD 87903.
 For complete Power Jack instructions consult MPD 87083.

Effective 12/04/07

For Atwood® Electric Ball Screw Truck Camper Jacks and Power Tongue Jacks



Atwood Electric Ball Screw Truck Camper Jacks are designed to be used in sets of four with one at each corner of the truck camper. Power Tongue Jacks are designed to be used on the tongue of a RV travel trailer.

REMOVAL PROCEDURE

1. Disconnect electrical lead from jack to camper.
2. Remove four screws-(A) located on each side of cover-(B). Remove top cover. Slide bottom cover-(C) down jack leg.
3. Remove two screws-(D) attaching motor-(E) to jack. Disconnect two electrical wires on motor from switches-(F). Lift motor off of jack.
4. Align motor shaft with groove pin in top of screw shaft. Rotate motor so that slots align with two threaded holes in mounting surface. Attach screws.
5. Reattach wires to motor switch. Verify ground connection.
6. Attach top and lower motor cover with four screws.

For complete Electric Ball Screw Truck Camper Jack instructions consult MPD 87903.
 For complete Power Jack instructions consult MPD 87083.