

**TOP WIND HANDLE
 REPLACEMENT**

Effective 12/04/07

For complete top wind jack instructions
 consult MPD 87840 & 87850.

WARNING

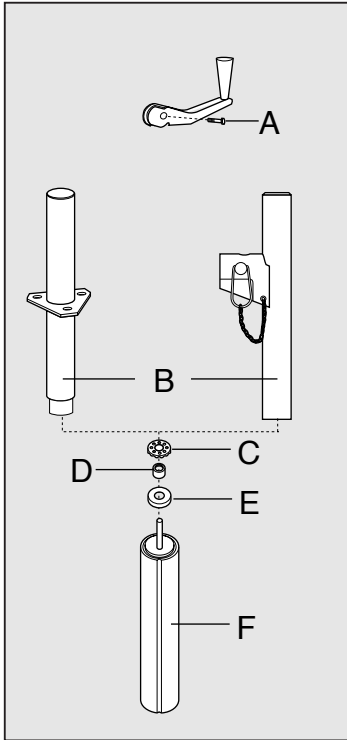
PERSONAL INJURY/PRODUCT DAMAGE

- Never exceed the rated capacity on the jack.

REMOVAL PROCEDURE

1. Remove damaged handle from jack by grinding off rivet head-A.
2. Disassemble jack by removing ram and screw assembly-F from jack housing assembly-B.
3. Clean and inspect all parts for damage or wear. If the screw does not turn freely or the ram is bent, the entire jack must be replaced.
4. After cleaning and inspection of parts, lubricate the thrust bearing-C and thrust washer-E with EP type grease. Soak felt spacer-D in SAE 30 oil. Also lubricate the entire length of the outside of the ram and screw assembly-F with SAE 30 oil.

continued backside



**TOP WIND HANDLE
 REPLACEMENT**

Effective 12/04/07

For complete top wind jack instructions
 consult MPD 87840 & 87850.

WARNING

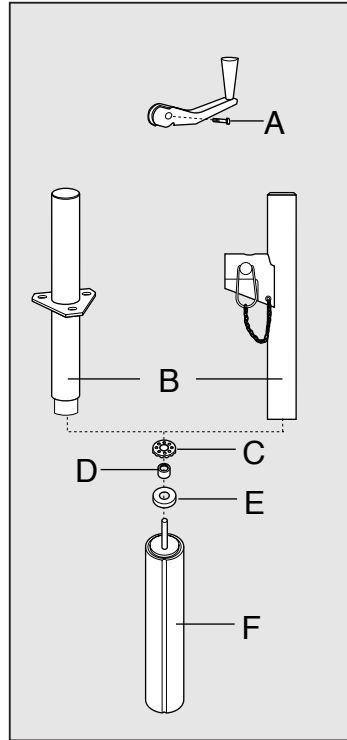
PERSONAL INJURY/PRODUCT DAMAGE

- Never exceed the rated capacity on the jack.

REMOVAL PROCEDURE

1. Remove damaged handle from jack by grinding off rivet head-A.
2. Disassemble jack by removing ram and screw assembly-F from jack housing assembly-B.
3. Clean and inspect all parts for damage or wear. If the screw does not turn freely or the ram is bent, the entire jack must be replaced.
4. After cleaning and inspection of parts, lubricate the thrust bearing-C and thrust washer-E with EP type grease. Soak felt spacer-D in SAE 30 oil. Also lubricate the entire length of the outside of the ram and screw assembly-F with SAE 30 oil.

continued backside



**TOP WIND HANDLE
 REPLACEMENT**

Effective 12/04/07

For complete top wind jack instructions
 consult MPD 87840 & 87850.

WARNING

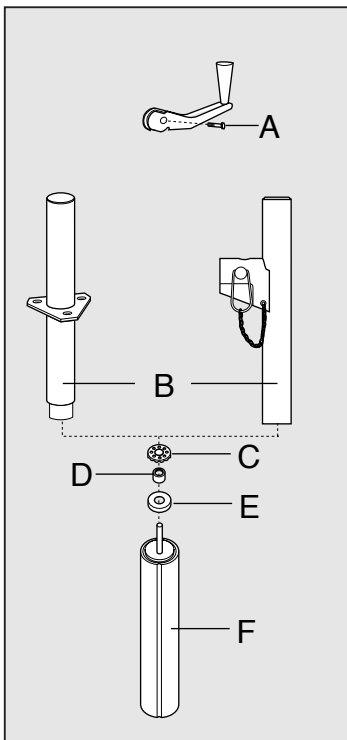
PERSONAL INJURY/PRODUCT DAMAGE

- Never exceed the rated capacity on the jack.

REMOVAL PROCEDURE

1. Remove damaged handle from jack by grinding off rivet head-A.
2. Disassemble jack by removing ram and screw assembly-F from jack housing assembly-B.
3. Clean and inspect all parts for damage or wear. If the screw does not turn freely or the ram is bent, the entire jack must be replaced.
4. After cleaning and inspection of parts, lubricate the thrust bearing-C and thrust washer-E with EP type grease. Soak felt spacer-D in SAE 30 oil. Also lubricate the entire length of the outside of the ram and screw assembly-F with SAE 30 oil.

continued backside



**TOP WIND HANDLE
 REPLACEMENT**

Effective 12/04/07

For complete top wind jack instructions
 consult MPD 87840 & 87850.

WARNING

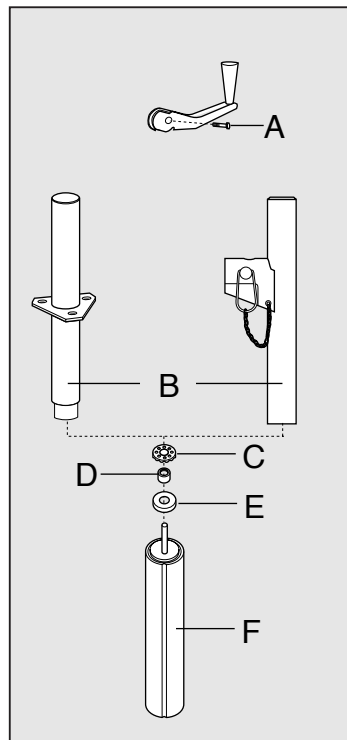
PERSONAL INJURY/PRODUCT DAMAGE

- Never exceed the rated capacity on the jack.

REMOVAL PROCEDURE

1. Remove damaged handle from jack by grinding off rivet head-A.
2. Disassemble jack by removing ram and screw assembly-F from jack housing assembly-B.
3. Clean and inspect all parts for damage or wear. If the screw does not turn freely or the ram is bent, the entire jack must be replaced.
4. After cleaning and inspection of parts, lubricate the thrust bearing-C and thrust washer-E with EP type grease. Soak felt spacer-D in SAE 30 oil. Also lubricate the entire length of the outside of the ram and screw assembly-F with SAE 30 oil.

continued backside



**TOP WIND HANDLE
 REPLACEMENT**

Effective 12/04/07

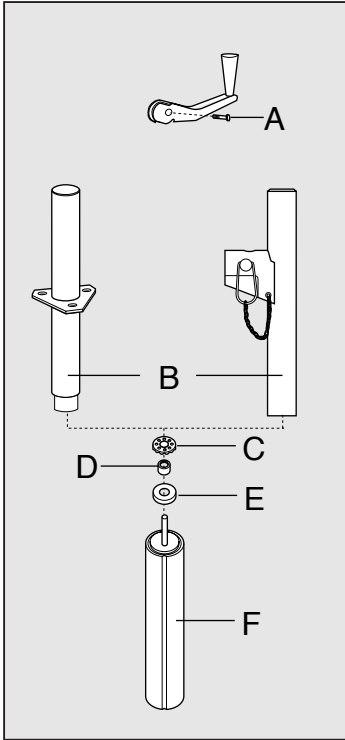
For complete top wind jack instructions
 consult MPD 87840 & 87850.

INSTALLATION PROCEDURE

5. Re-insert ram and screw assembly into jack housing assembly. Position handle assembly over jack top and align screw hole
6. Insert 1/4 - 20 x 1.00" hex screw through hole in handle and jack screw top. Install torque nut on screw. Run nut up to handle tight enough to keep handle snug on jack screw top.

**⚠ WARNING
 EYE INJURY**

- Metal can chip or shatter, protect eyes by wearing safety glasses or goggles.



**TOP WIND HANDLE
 REPLACEMENT**

Effective 12/04/07

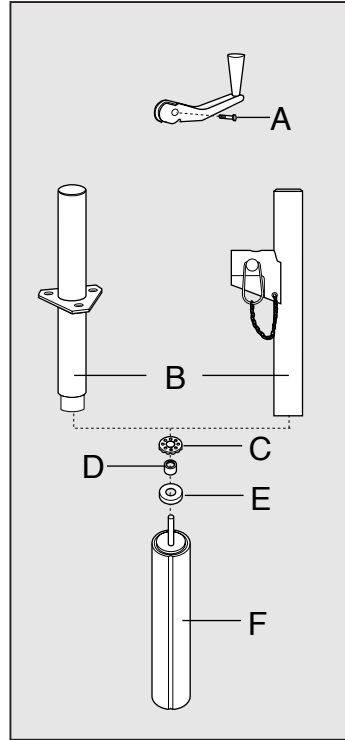
For complete top wind jack instructions
 consult MPD 87840 & 87850.

INSTALLATION PROCEDURE

5. Re-insert ram and screw assembly into jack housing assembly. Position handle assembly over jack top and align screw hole
6. Insert 1/4 - 20 x 1.00" hex screw through hole in handle and jack screw top. Install torque nut on screw. Run nut up to handle tight enough to keep handle snug on jack screw top.

**⚠ WARNING
 EYE INJURY**

- Metal can chip or shatter, protect eyes by wearing safety glasses or goggles.



**TOP WIND HANDLE
 REPLACEMENT**

Effective 12/04/07

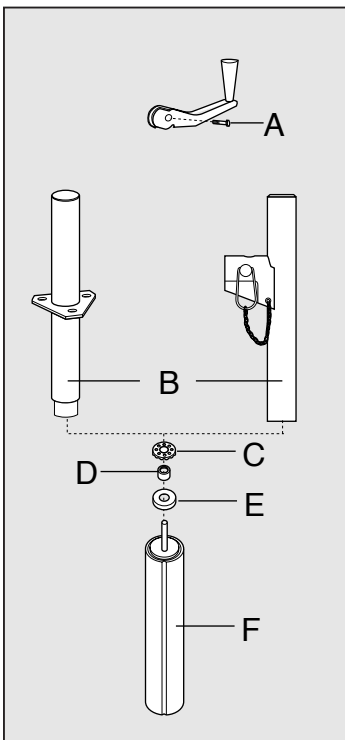
For complete top wind jack instructions
 consult MPD 87840 & 87850.

INSTALLATION PROCEDURE

5. Re-insert ram and screw assembly into jack housing assembly. Position handle assembly over jack top and align screw hole
6. Insert 1/4 - 20 x 1.00" hex screw through hole in handle and jack screw top. Install torque nut on screw. Run nut up to handle tight enough to keep handle snug on jack screw top.

**⚠ WARNING
 EYE INJURY**

- Metal can chip or shatter, protect eyes by wearing safety glasses or goggles.



**TOP WIND HANDLE
 REPLACEMENT**

Effective 12/04/07

For complete top wind jack instructions
 consult MPD 87840 & 87850.

INSTALLATION PROCEDURE

5. Re-insert ram and screw assembly into jack housing assembly. Position handle assembly over jack top and align screw hole
6. Insert 1/4 - 20 x 1.00" hex screw through hole in handle and jack screw top. Install torque nut on screw. Run nut up to handle tight enough to keep handle snug on jack screw top.

**⚠ WARNING
 EYE INJURY**

- Metal can chip or shatter, protect eyes by wearing safety glasses or goggles.

