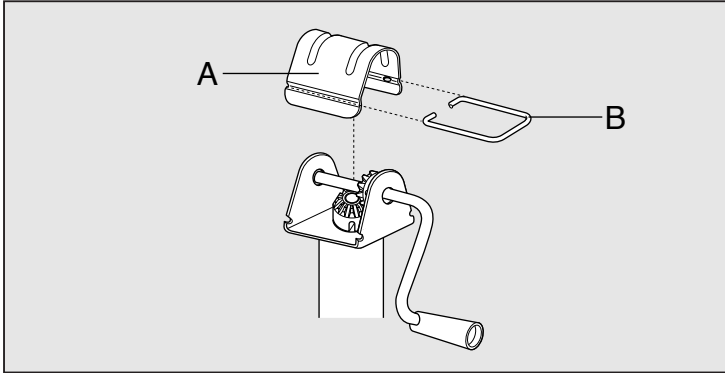


## JACK COVER KITS

Effective 12/04/07

### Use with 1000 lb. & 2000 lb. Tongue Jacks and Heavy & Super Duty 5th Wheel Landing Legs



For complete tongue jack instructions consult MPD 87840 - 87850.  
5th Wheel Landing Legs consult MPD 71125.

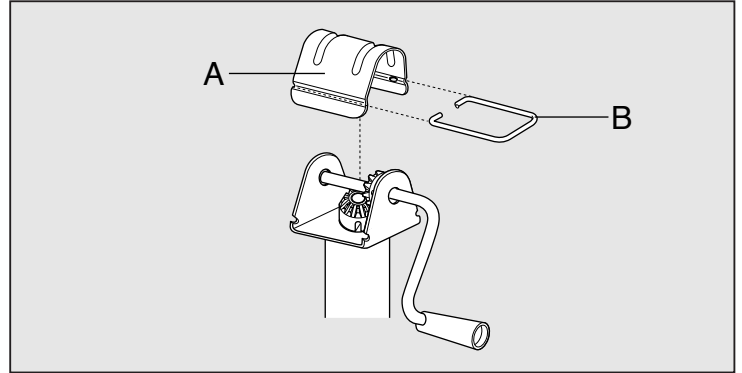
#### INSTALLATION PROCEDURE

1. Push cover down on top of jack or leg until grooves in cap snap onto top of jack housing.
2. Put clip on top of cover and push down so that clip fits into cover slots.

## JACK COVER KITS

Effective 12/04/07

### Use with 1000 lb. & 2000 lb. Tongue Jacks and Heavy & Super Duty 5th Wheel Landing Legs



For complete tongue jack instructions consult MPD 87840 - 87850.  
5th Wheel Landing Legs consult MPD 71125.

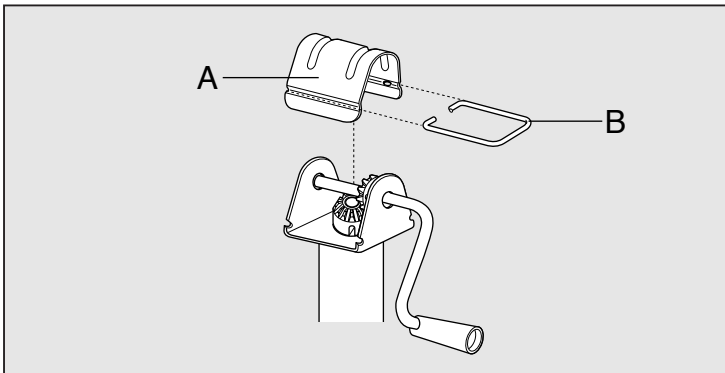
#### INSTALLATION PROCEDURE

1. Push cover down on top of jack or leg until grooves in cap snap onto top of jack housing.
2. Put clip on top of cover and push down so that clip fits into cover slots.

## JACK COVER KITS

Effective 12/04/07

### Use with 1000 lb. & 2000 lb. Tongue Jacks and Heavy & Super Duty 5th Wheel Landing Legs



For complete tongue jack instructions consult MPD 87840 - 87850.  
5th Wheel Landing Legs consult MPD 71125.

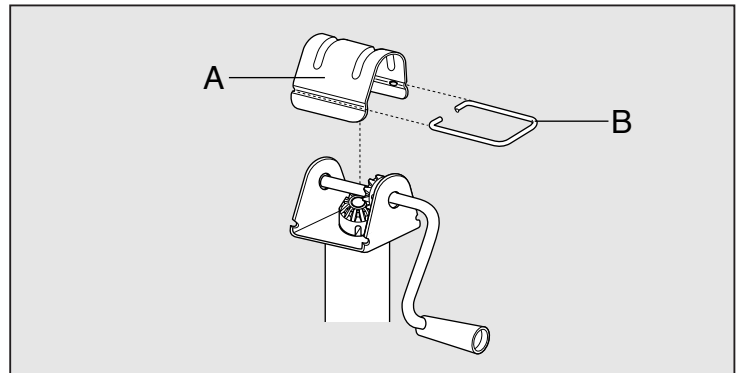
#### INSTALLATION PROCEDURE

1. Push cover down on top of jack or leg until grooves in cap snap onto top of jack housing.
2. Put clip on top of cover and push down so that clip fits into cover slots.

## JACK COVER KITS

Effective 12/04/07

### Use with 1000 lb. & 2000 lb. Tongue Jacks and Heavy & Super Duty 5th Wheel Landing Legs



For complete tongue jack instructions consult MPD 87840 - 87850.  
5th Wheel Landing Legs consult MPD 71125.

#### INSTALLATION PROCEDURE

1. Push cover down on top of jack or leg until grooves in cap snap onto top of jack housing.
2. Put clip on top of cover and push down so that clip fits into cover slots.