



1120 North Main Street • Elkhart, IN 46514  
**PHONE:** 574•264•2131 **FAX:** 574•206•9713  
**INTERNET:** http://www.atwoodmobile.com

LITERATURE NUMBER **MPD 61050**

# LEVELEGS™ SYSTEM ADAPTER KIT

•Installation •Operation •Maintenance

**ENGLISH,  
FRANÇAIS** (et Canada)

**24 HOUR TROUBLESHOOTING HELP CALL - 800-884-7012**  
 Provided by Coach Net®, the largest RV owner support company in North America.

Effective 12/12/07

### SAFETY ALERT SYMBOLS

Safety Symbols alerting you to potential personal safety hazards. Obey all safety messages following these symbols.

**⚠ WARNING**  
 avoid possible  
 injury or death

**⚠ CAUTION**  
 avoid possible  
 injury and/or property damage

**FOR YOUR SAFETY READ ALL INSTRUCTIONS  
BEFORE INSTALLATION AND OPERATION**

**Installer:** Provide these instructions to the consumer.  
**Consumer:** Keep documents for future reference.  
 Atwood Levellegs™ Levelers are intended for use on recreation vehicle motorhomes and trailers.



### **WARNING** VEHICLE CAN MOVE OR COLLAPSE

- Never exceed the rated capacity of the leveler as stated on its label.
- Levelers are not designed to be used as jacks. Do not use levelers to lift the vehicle during tire changes, axle work or other servicing. The tires must stay on the ground.

## INSTALLATION

### LEVELER LEG

1. Prior to installation, retract the levelers so the foot pads are within 1/2" to 1" from the end of the outer housing (FIG 1-A).
2. Remove Round Tube Leveler.
3. Attach new Frame Bracket (FIG 2-A) to existing location on frame (FIG 2-B), using hardware kit provided. Depending on the model use four (4) to six (6) each 1/2" - 13 Grade 5 bolts and nuts and 12 of the 1/2" Type A washer.
4. Position leveler vertically against frame so base of foot has 8-9" minimum ground clearance when vehicle is loaded to its maximum GVWR (FIG 1-B).
5. Fit the Leveleg bracket (FIG 2-C) around the Leveleg, (FIG 2-D) engaging one tab in the slot of the bracket (FIG 2) and the other tab (FIG 2-E & F) below the bracket (FIG 2). Bracket may be rotated 180° for more/less ground clearance and either set of mounting holes may be used. Attach the Leveleg bracket to the frame bracket with 1/2" - 13 grade 5 bolts and 1/2" flat washers on the Leveleg bracket and a 1/2" flat washer, 1/2" locking washer and 1/2" - 13 grade 5 nut. To install on 5th wheel trailers, refer to MPD 71125.
6. Lubricate the bolts and torque to 65 ft-lbs. Insure the top two and bottom two holes in leveler brackets have bolts in them.

### ELECTRICAL CONNECTIONS

1. Check the existing old round tube leveler.  
**ONE (1) PLUG ON WIRES COMING FROM THE MOTOR** - Wiring Harness supplied in this kit is not required.  
**TWO (2) PLUGS ON WIRES COMING FROM THE MOTOR** - Find the wires from the motorhome signal wire harness that were attached to the round tube leveler. Connect those two wires to the two plugs from the 'Y' wire harness (FIG 3-A).

Figure 1

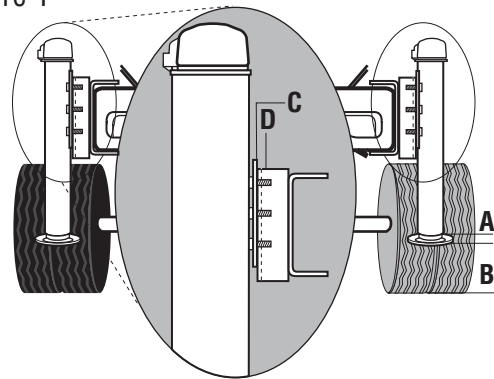


Figure 2

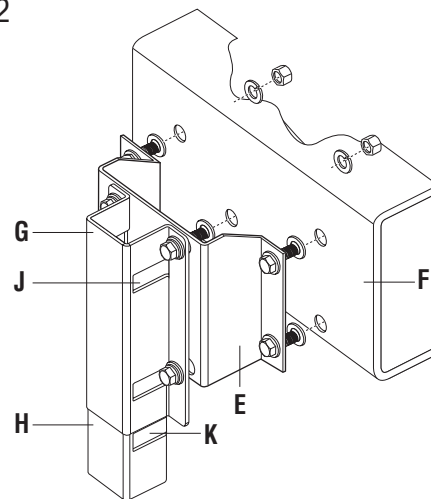


Figure 3

