

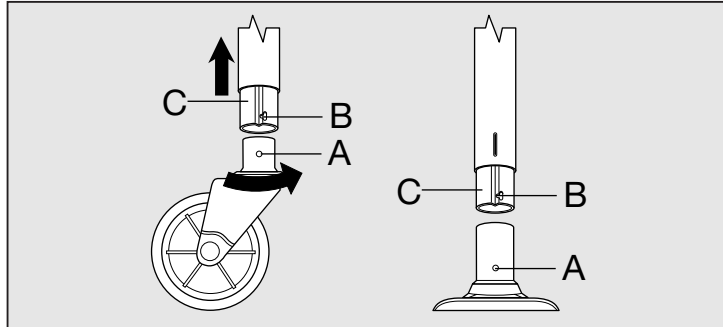


1120 North Main Street • Elkhart, IN 46514
 PHONE: 574•264•2131 FAX: 574•206•9713
 INTERNET: <http://www.atwoodmobile.com>

LITERATURE NUMBER **MPD 87845**
CASTER & JACK FOOT
REPLACEMENT

Effective 12/04/07

Use only with Atwood jacks.



For complete jack instructions consult MPD 87840.

⚠ WARNING
PERSONAL INJURY/PROPERTY DAMAGE

- Do not use Atwood jacks fitted with caster wheel on trailers with tongue weights in excess of 1,000 lbs., regardless of rated capacity of the jack.

⚠ CAUTION
PRODUCT DAMAGE

- Remove twist-lock type casters and jack feet before towing trailer.

Casters and jack feet with dimple locator-A, are designed for use only with Atwood jacks which have key hole shaped slots-B at the lower end of the jack inner ram.

INSTALLATION PROCEDURE

1. Align dimple-A in caster or foot with keyhole slot-B in inner ram-C.
2. Push caster or foot up.
3. Lift and twist top of caster to the right so that the dimple rests in the vertical section of the key slot.

continued backside

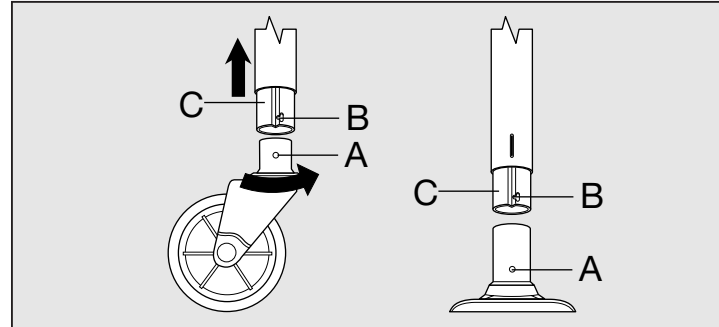


1120 North Main Street • Elkhart, IN 46514
 PHONE: 574•264•2131 FAX: 574•206•9713
 INTERNET: <http://www.atwoodmobile.com>

LITERATURE NUMBER **MPD 87845**
CASTER & JACK FOOT
REPLACEMENT

Effective 12/04/07

Use only with Atwood jacks.



For complete jack instructions consult MPD 87840.

OPERATION

1. Roll jack with caster on smooth surface only.
2. When manually moving a trailer, crank jack to the lowest practical position to minimize bending stress on the jack tube.

MAINTENANCE

1. Do not lubricate in normal usage.
2. Replace entire caster or foot in the event of damage or wear which renders it inoperative for its intended use.

Aftermarket Replacement Service Part

Quarter page actual size.
 (Shown enlarged)