



1120 North Main Street • Elkhart, IN 46514
 PHONE: 574•264•2131 FAX: 574•206•9713
 INTERNET: <http://www.atwoodmobile.com>

WEDGEWOOD BI-FOLD COVER

RW, CW

ENGLISH

•Installation •Operation

Effective 11/21/07

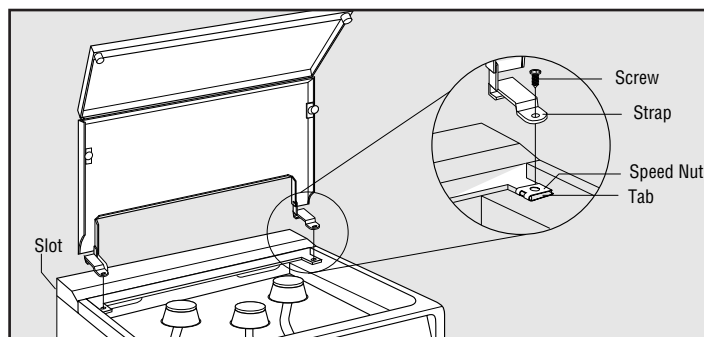
FOR YOUR SAFETY READ ALL INSTRUCTIONS BEFORE OPERATING

Installer: Provide these instructions to the consumer.

Consumer: Keep documents for future reference.

INSTALLATION

1. A phillips screwdriver is required for installation. To install Bi-Fold cover, remove range top exposing mounting holes located in rear corner of tabs.
2. Slide the speed nuts over the tabs as shown.
3. With Bi-Fold cover open (as shown) hook the straps into slots at the rear corners of the vent.
4. Install the screws through the straps, speed nuts and mounting holes from the top.
5. Lower Bi-Fold cover halfway to reinstall range top.



⚠ WARNING BURN INJURY

- When cooking appliance is in use - cover must be in full upright and folded position, pushed completely toward outside wall with the spring latch engaged, preventing cover from falling on range top during cooking.

OPERATION

- Never close cover while the burners are in use.
- Do not use cover as a griddle.
- The oven may be used with the cover down.
- Cover is not for use on top pilot models.
- Never use cooking appliance while RV is moving.
- This cover is designed for use only with Atwood/Wedgewood brand RV ranges and slide-ins. DO NOT USE WITH OTHER BRANDS.
- The bi-fold cover must always be closed when the vehicle is in transit.

TO OPEN:

Rotate cover upward until the spring latch engages.

TO CLOSE:

Press the spring latch outward as indicated to disengage, then lower the cover into the closed position.

